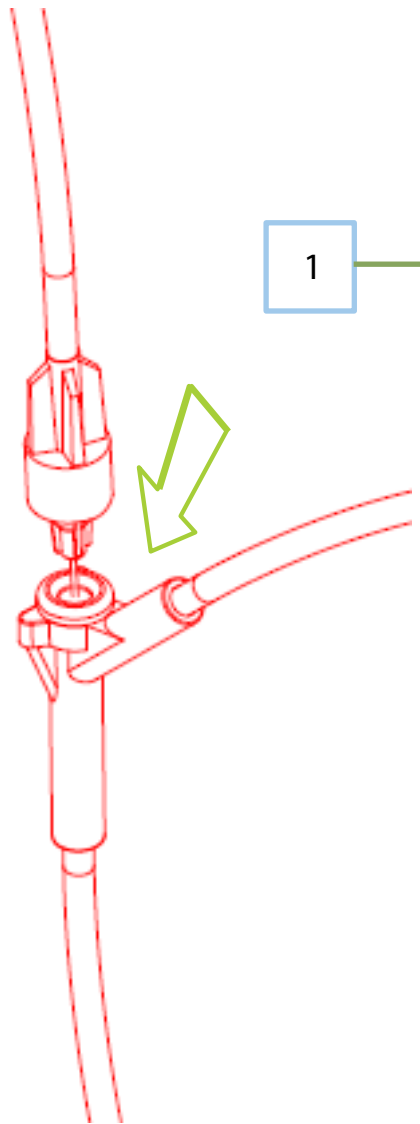
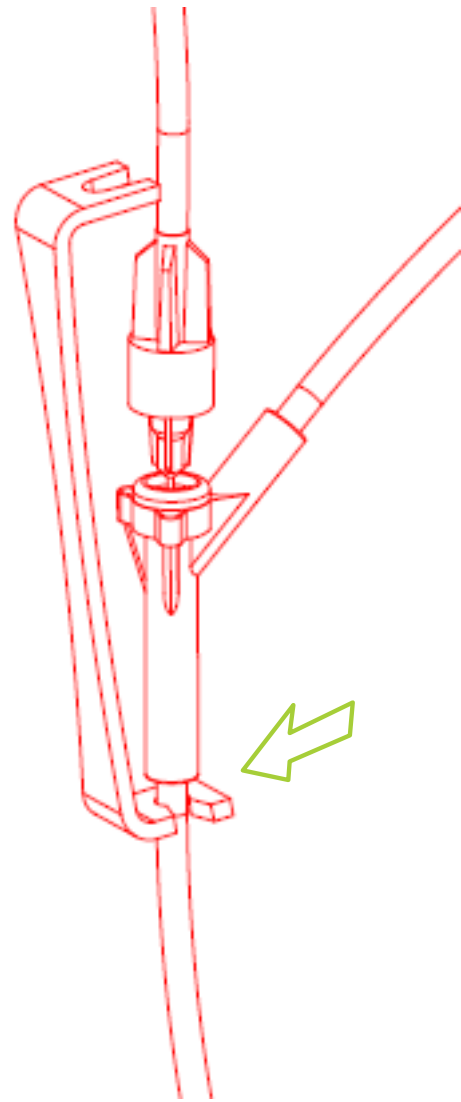


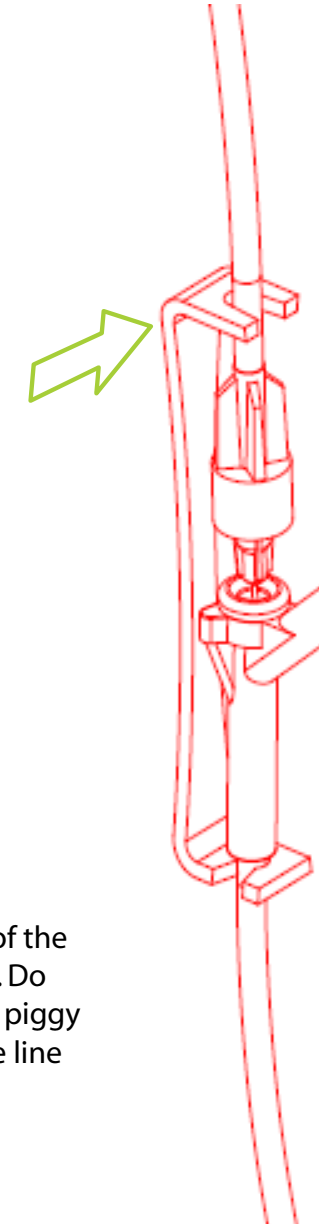
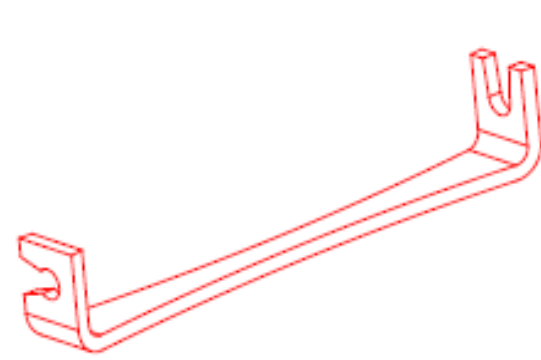
How to use the IV Sty



1 First, connect the two IV lines as normal, by pushing the needle of the secondary line into the Piggy-Back port of the primary line.

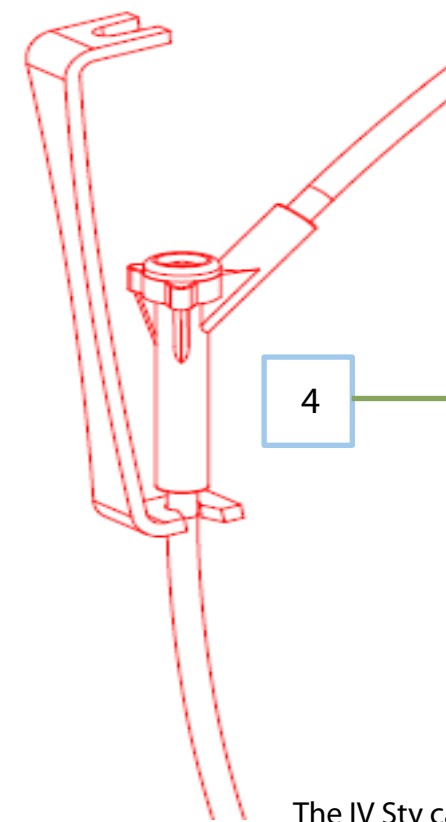
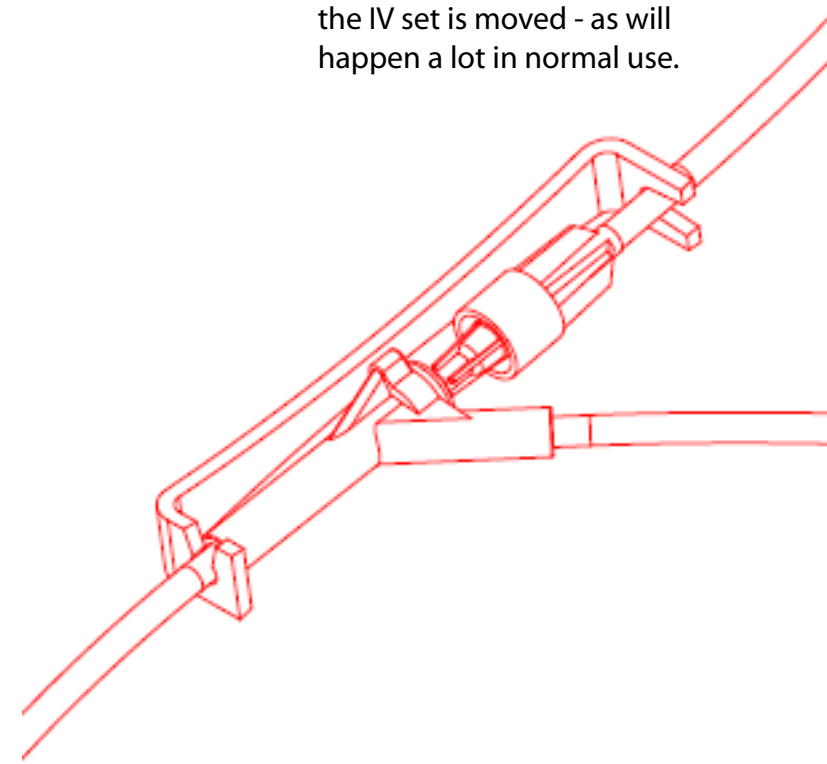


2 Simply clip the forked end of the IV Sty onto the primary line. Do this immediately below the piggy back port, on the part of the line leading to the patient.



3 Using the 'v' notched end of the IV Sty, clip the IV Sty on to the secondary line behind the needle head barrel. This will prevent the needle from coming out.

Once correctly in place the IV Sty prevents the two lines from becoming disconnected, even if the IV set is moved - as will happen a lot in normal use.



4 The IV sty can be simply unclipped back from the needle head to enable the secondary line to be removed.

Note how it stays in place on the primary line, so that if a further secondary line needs to be connected it is ready to anchor that line in the same way.

The IV Sty can be simply disposed of when the IV infusion programme is complete.

